

FIG. #1

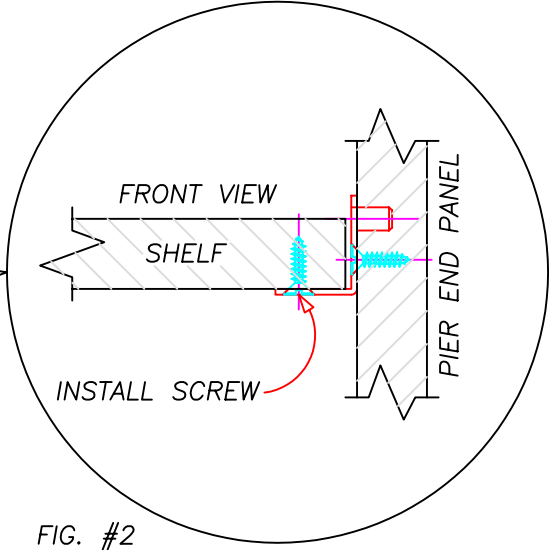
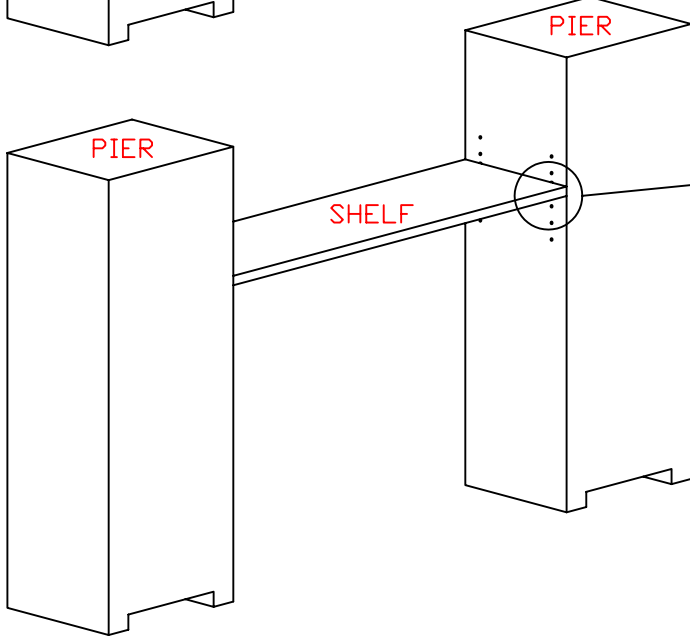


FIG. #2

SHELF REPAIR KIT ASSEMBLY INSTRUCTIONS

STEP 1: With the assistance of another person, carefully remove the shelf between the pier units. It will be necessary to first remove any screws that may be holding the shelf in place.

STEP 2: Insert the provided shelf pins (4) into the same pre-bored holes in the pier units as the ones that were removed during STEP 1. Use 4 of the provided screws to attach each of the 4 shelf pins into the side panel of the pier cabinet. See figure #1. Be sure that the part of the pin that the shelf will sit on is as level as possible.

STEP 3: With the assistance of another person, carefully replace the shelf on to the newly installed shelf pins from STEP 2 making sure the ends of the shelf are tight against the piers.

STEP 4: Using the provided 4 screws, secure the shelf to the new shelf pins as shown in figure #2.